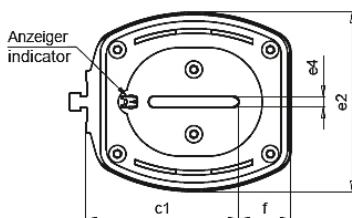
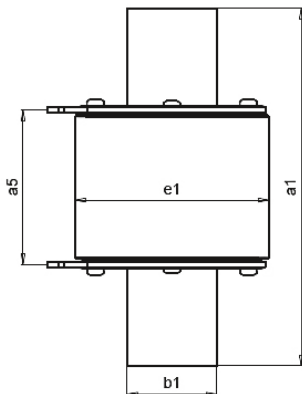


690 V



NH 4a



Spannungsführende Griffflaschen / Non insulated removal tags

Verpackung / Packing 1 Stück / 1 piece

|                                     |                           |
|-------------------------------------|---------------------------|
| Betriebsklasse / Class<br><b>gG</b> | IEC 60269-2<br>VDE 0636-2 |
|-------------------------------------|---------------------------|

| Bemes-<br>sungs-<br>spannung<br>Rated<br>Voltage | Artikel<br>Article | Größe<br>Size | Bemessungsstrom<br>Rated Current | Länge<br>Length |                |                |                |                |                |    |                |
|--|--------------------|---------------|----------------------------------|-----------------|----------------|----------------|----------------|----------------|----------------|----|----------------|
|  |                    |               |                                  | a <sub>5</sub>  | a <sub>1</sub> | b <sub>1</sub> | e <sub>4</sub> | e <sub>1</sub> | e <sub>2</sub> | f  | c <sub>1</sub> |
| V  |                    |               | I <sub>n</sub> / A               | mm              | mm             | mm             | mm             | mm             | mm             | mm | mm             |
| 690  | 20 227 13          | NH 4a         | ≤ 1000                           | 87              | 200            | 50             | 6              | 106            | 100            | 28 | 85             |

| Bemessungsstrom<br>Rated Current | Artikel Nr. / Leistungsabgabe<br>Article No. / Power Loss |      | Gewicht<br>Weight | Bemessungs-<br>ausschaltvermögen<br>Rated Breaking<br>Capacity | Schmelz-<br>integral<br>Pre-Arcing-<br>i <sup>2</sup> t-Value | Ausschaltintegral<br>Total i <sup>2</sup> t-Value |                  |            |
|----------------------------------|---|------|-------------------|--|---|---|------------------|------------|
|                                  | NH 4a   |      |                   |  |   | @ AC 254 V  | @ AC 440 V       | @ AC 690 V |
| I <sub>n</sub> / A               | W   | kg/1 | kA                | A <sup>2</sup> s   | A <sup>2</sup> s  | A <sup>2</sup> s                                  | A <sup>2</sup> s |            |
| 400                              | 20 227 13.400   | 30   | 2,60              | 120  | 800.000   | 900.000   | 140.000          | 1.900.000  |
| 500                              | 20 227 13.500   | 40   | 2,60              | 120  | 1.100.000   | 1.300.000   | 1.900.000        | 2.400.000  |
| 630                              | 20 227 13.630   | 50   | 2,60              | 120  | 1.700.000   | 2.500.000   | 3.100.000        | 3.950.000  |
| 800                              | 20 227 13.800   | 70   | 2,60              | 120  | 3.000.000   | 4.450.000   | 5.500.000        | 7.000.000  |
| 1000                             | 20 227 13.1000  | 95   | 2,60              | 120  | 5.550.000   | 8.175.000   | 10.200.000       | 13.000.000 |

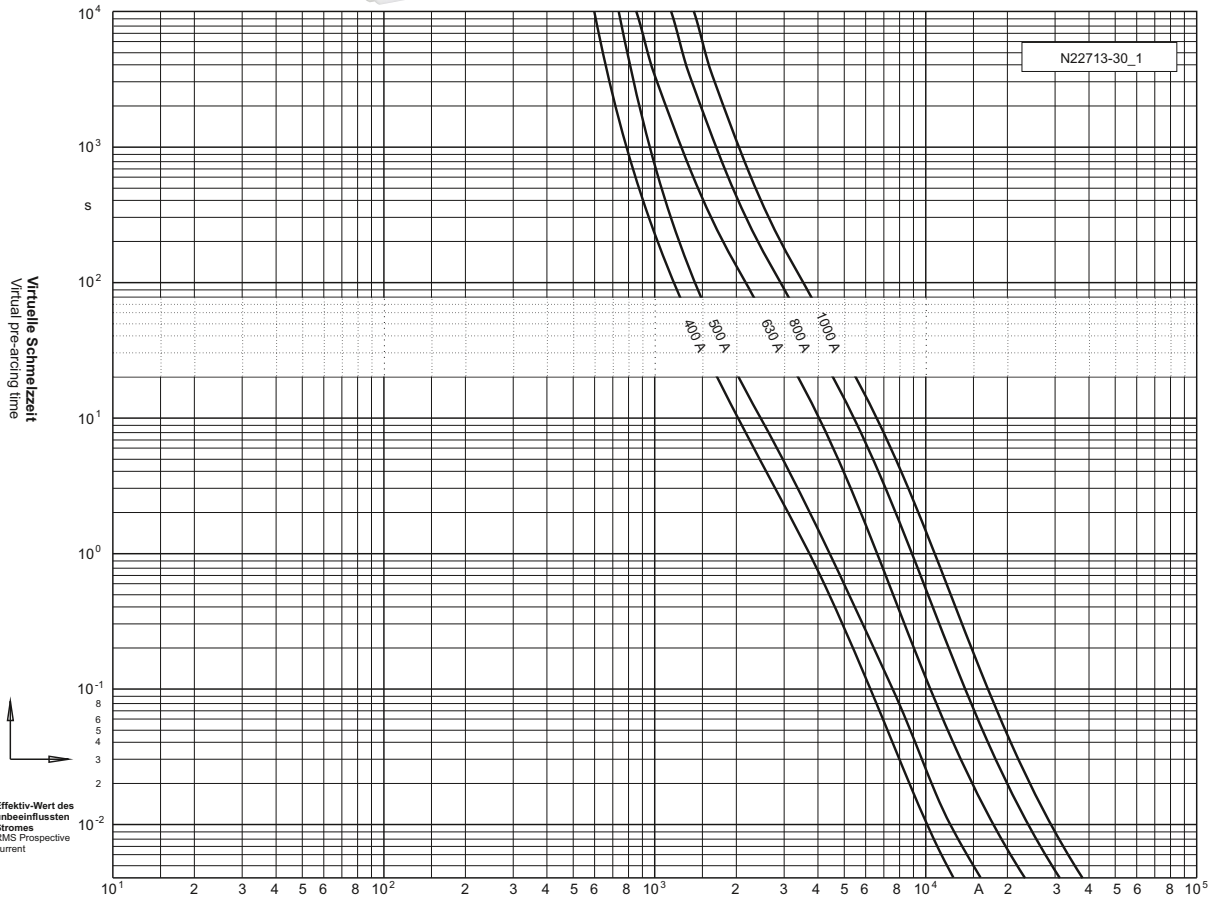
690 V



NH 4a

gG

Zeit/Strom-  
Kennlinien  
Time-current  
characteristics



Durchlass-Strom  
Cut-off current

