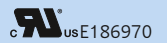
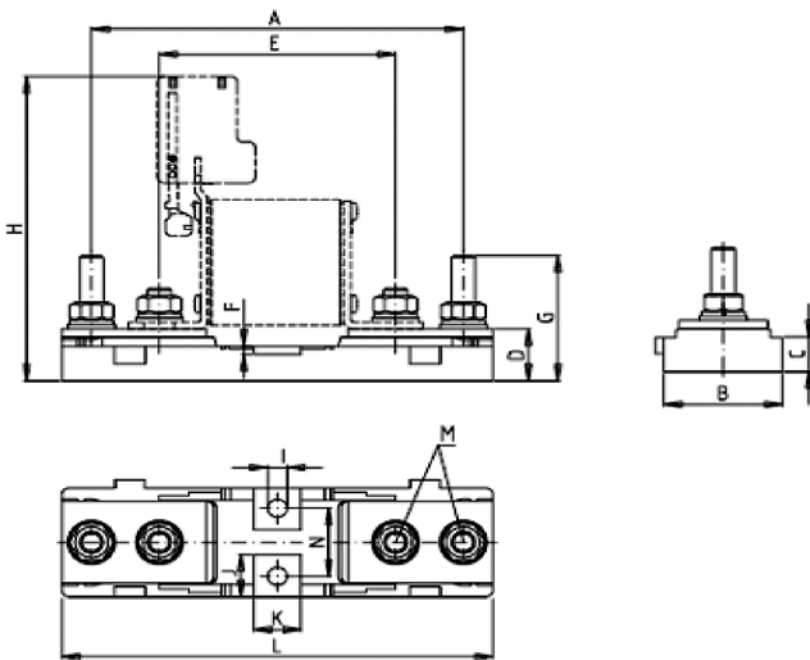


1000 V

Sicherungsunterteil für URB-Sicherungseinsätze **NH 00 / DIN 80**
Fuse-base for URB Fuse-links



| Bemessungsspannung Rated Voltage | Artikel Nr. Article No | Größe Size | Bemessungsstrom Rated Current | Max. Leistungsaufnahme Rated Power Acceptance | Anschlußbolzen Connection bolts | Max. Anzugsdrehmoment (Anschlußbolzen) Max. Nut Torque | Max. Anzugsdrehmoment (Unterteil) Max. Fuse base Torque | Kontaktplatte Contact plate |
|-------------------------------------|---------------------------|---------------|----------------------------------|--|-------------------------------------|---|--|--|
| V | | | A | W | | Nm | Nm | |
| 1000 | 21 189 01 | NH 00 | 400 | 34 | M 8 Edelstahl stainless steel | 12 | 4 | Kupfer, versilbert copper, silver plated |
| | 21 189 08 | | | | | | | |
| | 21 189 11 | | | | | | | |



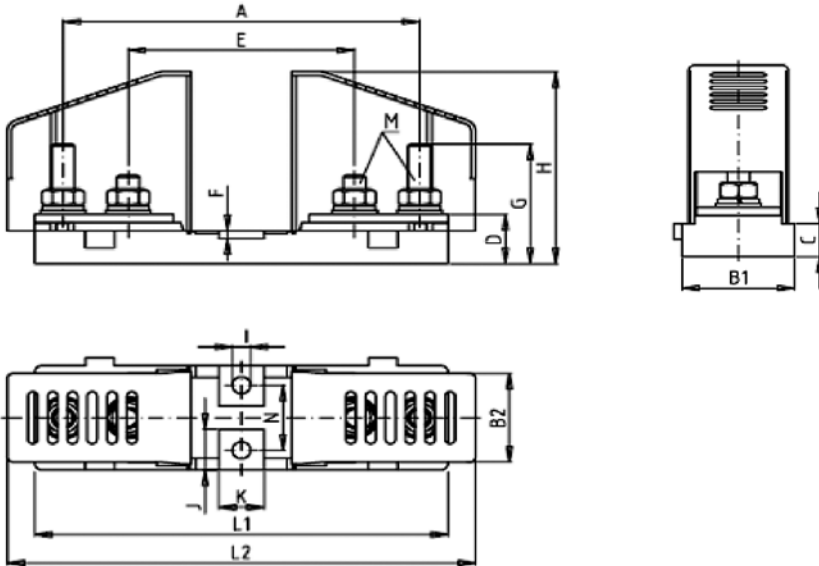
| Artikel Nr. Article No. | Länge length | |
|----------------------------|-----------------|-------|
| 21 189 01 | mm | inch |
| A | 126 | 4,96" |
| B | 40 | 1,57" |
| C | 13 | 0,5" |
| D | 19 | 0,75" |
| E | 80 | 3,15" |
| F | 3 | 0,12" |
| G | 46 | 1,81" |
| H | 112 | 4,4" |
| I | 6,5 | 0,26" |
| J | 15,5 | 0,6" |
| K | 16 | 0,63" |
| L(max) | 146 | 5,75" |
| M | M8 | M8 |
| N | 25 | 0,98" |

| Artikel Nr. Article No. | Verpackungseinheit Packing unit | Gewicht Weight |
|----------------------------|------------------------------------|-------------------|
| | Stück / pieces | kg / 1 |
| 21 189 01 | 5 | 0,25 |
| 21 189 08 | 3 | 0,26 |
| 21 189 11 | 5 | 0,25 |

1000 V

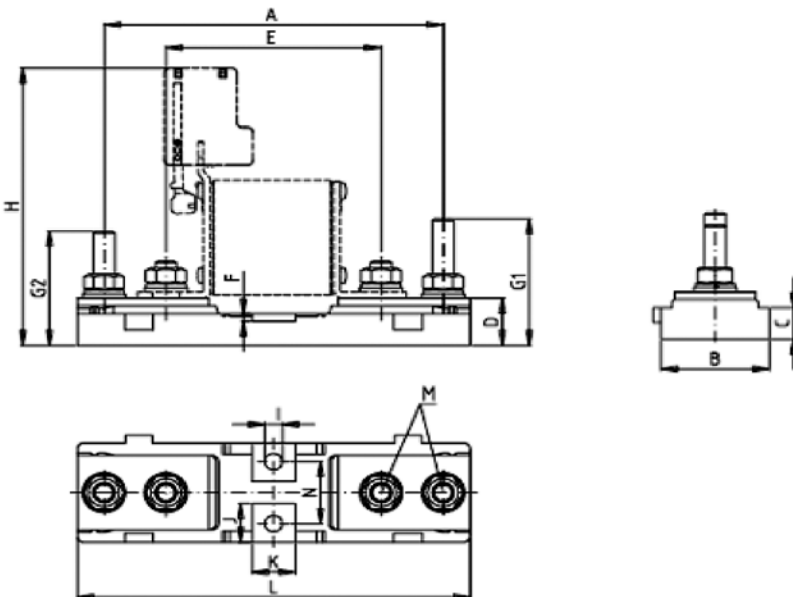
Sicherungsunterteil für URB-Sicherungseinsätze **NH 00 / DIN 80**
 Fuse-base for URB Fuse-links

usE186970



**mit Abdeckhauben
 with terminal covers**

| Artikel Nr. | Länge | |
|-------------|--------|-------|
| Article No. | length | |
| 21 189 08 | mm | inch |
| A | 126 | 4,96" |
| B1 max. | 40 | 1,57" |
| B2 | 34 | 1,34" |
| C | 13 | 0,5" |
| D | 19 | 0,75" |
| E | 80 | 3,15" |
| F | 3 | 0,12" |
| G | 46 | 1,81" |
| H | 74 | 2,91" |
| I | 6,5 | 0,26" |
| J | 15,5 | 0,6" |
| K | 16 | 0,63" |
| L1 | 146 | 5,75" |
| L2 | 165 | 6,5" |
| M | M8 | M8 |
| N | 25 | 0,98" |



**einseitig längere Anschlußschrauben
 unilaterally longer connecting screw**

| Artikel Nr. | Länge | |
|-------------|--------|-------|
| Article No. | length | |
| 21 189 11 | mm | inch |
| A | 126 | 4,96" |
| B | 40 | 1,57" |
| C | 13 | 0,5" |
| D | 19 | 0,75" |
| E | 80 | 3,15" |
| F | 3 | 0,12" |
| G1 | 51 | 2" |
| G2 | 46 | 1,81" |
| H | 112 | 4,4" |
| I | 6,5 | 0,26" |
| J | 15,5 | 0,6" |
| K | 16 | 0,63" |
| L(max) | 146 | 5,75" |
| M | M8 | M8 |
| N | 25 | 0,98" |

DC 600 V

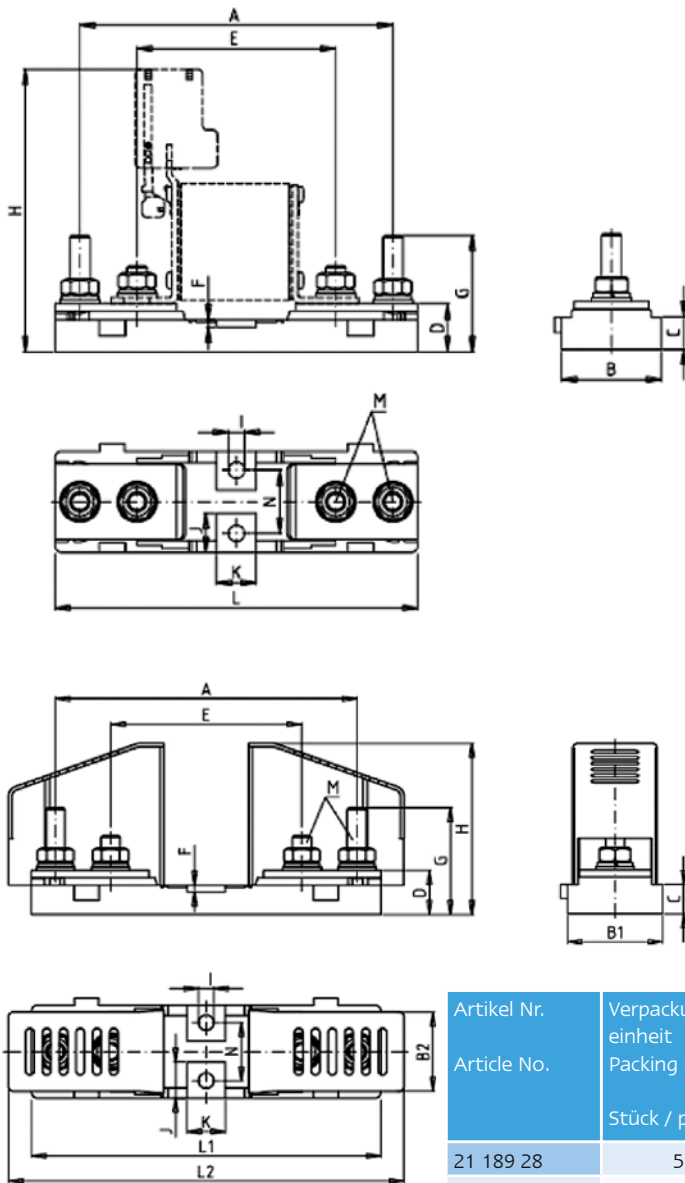
Sicherungsunterteil für gPV-Sicherungseinsätze **NH 00 / DIN 80**
Fuse-base for gPV Fuse-links



IEC 60 269-4 / UL 4248-18

| Bemessungs- spannung | Artikel Nr. | Größe | Bemessungs- strom | Max. Leistungsauf- nahme | Anschluß- bolzen | Max. Anzugs- drehmoment (Anschluß- bolzen) | Max. Anzugs- drehmoment (Unterteil) | Kontaktplatte |
|-------------------------|-------------|-------|----------------------|--------------------------------|-------------------------------------|---|---|--|
| Rated Voltage | Article No | Size | Rated Current | Rated Power Acceptance | Connection bolts | Max. Nut Torque | Max. Fuse base Torque | Contact plate |
| V | | | A | W | | Nm | Nm | |
| DC 600 V | 21 189 28 | NH 00 | 200 | 34 | M 8 Edelstahl stainless steel | 12 | 4 | Kupfer, versilbert copper, silver plated |
| | 21 190 28 | | | | | | | |

Bemessungsausschaltvermögen / Rated breaking capacity 30 kA



| Artikel Nr. | Verpackungs- einheit | Gewicht |
|-------------|-------------------------|---------|
| Article No. | Packing unit | Weight |
| | Stück / pieces | kg / 1 |
| 21 189 28 | 5 | 0,25 |
| 21 190 28 | 3 | 0,26 |

| Artikel Nr. | Länge | |
|-------------|--------|-------|
| Article No. | length | |
| 21 189 28 | mm | inch |
| A | 126 | 4,96" |
| B | 40 | 1,57" |
| C | 13 | 0,50" |
| D | 19 | 0,75" |
| E | 80 | 3,15" |
| F | 3 | 0,12" |
| G | 46 | 1,81" |
| H | 112 | 4,40" |
| I | 6,5 | 0,26" |
| J | 15,5 | 0,60" |
| K | 16 | 0,63" |
| L(max) | 146 | 5,75" |
| M | M8 | M8 |
| N | 25 | 0,98" |

**Sicherungsunterteil mit Abdeckungen
Fuse-Base with covers**

| Artikel Nr. | Länge | |
|-------------|--------|-------|
| Article No. | length | |
| 21 190 28 | mm | inch |
| A | 126 | 4,96" |
| B1 max. | 40 | 1,57" |
| B2 | 34 | 1,34" |
| C | 13 | 0,5" |
| D | 19 | 0,75" |
| E | 80 | 3,15" |
| F | 3 | 0,12" |
| G | 46 | 1,81" |
| H | 74 | 2,91" |
| I | 6,5 | 0,26" |
| J | 15,5 | 0,6" |
| K | 16 | 0,63" |
| L1 | 146 | 5,75" |
| L2 | 165 | 6,5" |
| M | M8 | M8 |
| N | 25 | 0,98" |